

	BH2D	BH4D
Housing	1 piece	1 piece
Infrared Heat Lamps (275W)	2 pieces	4 pieces
Light globe (7W LED)	1 piece	1 piece
Instruction Sheet	1 piece	1 piece
Warranty card	1 piece	1 piece
Hole-cutting template	1 piece	1 piece
Ducting (3m x Ø150mm)	1 piece	1 piece
Duct holder	1 piece	1 piece
External grille	1 piece	1 piece
Wall switch plate	1 set	1 set
Duct tape and cable ties	1 set	1 set

Product Notes

- This product must be installed and used as per these instructions.
- A switch disconnection must be incorporated in the fixed wiring in accordance with the wiring rules.
- This appliance is not intended for use by persons (including children) with reduced physical, sensory or mental capabilities, or lack of experience and knowledge, unless they have been given supervision or instruction concerning use of the appliance by a person responsible for their safety. Children should be supervised to ensure that they do not play with the appliance.
- This appliance is intended for household use and similar purposes. It is not suitable for use in an environment heavily laden with dust. Under these conditions the life of the fan motor can be significantly reduced.
- This product contains no serviceable parts and no attempt should be made to repair this product. If the product is faulty it should be discarded.
- This product must be cleaned periodically from dust and other contaminants with a damp cloth. Aggressive cleaning agents and solvents should never be used.
- Airflows listed in this instruction sheet indicate the product performance. Refer to the BCA (Building Code of Australia), or similar, for the appropriate airflow required for a particular installation.
- Ventilation products must have an adequate source of external air to ensure correct performance.
- This product should not be enclosed in thermal insulation as it may cause the unit to overheat.
- This product has been designed for domestic or similar uses and is not suitable for a commercial installation.
- Exhaust fans may adversely affect the safe operation of appliances burning gas or other fuels (including those from other rooms) due to back flow of combustion gases. These gases can potentially result in carbon monoxide poisoning. After installation of an exhaust fan such as a partition fan, the operation of flued gas appliance should be tested by a competent person to ensure that back flow of combustion gases does not occur.
- Extended exposure to UV rays (such as exposure to direct sunlight) may cause discolouration of this product.
- This product is not suitable for installation in hazardous and/or corrosive areas.
- This product has been designed to operate in ambient temperatures 5°C to 40°C.
- The material in this product may vary in colour from batch to batch. Colour matching from one batch to another cannot be guaranteed.
- This product utilises intellectual property in the form of registered designs, trademarks, and/or patents. Such intellectual property remains the property of Legrand in all cases.
- Legrand reserves the right to modify the specification of this product at anytime.

Trouble shooting

This Instant Heat is fitted with a thermal cut-out to provide over-temperature protection. If the heat lamps begin to switch ON/OFF intermittently this may indicate the unit was wired incorrectly, allowing the lamps to operate without the fan running. To rectify please check your installation.

Warranty

Legrand warrants the following on the Instant Heat from the date of purchase:

- 5-year warranty on materials and workmanship (excluding heat lamps and centre light).
- 2-year warranty on heat lamps and centre light.

These goods come with guarantees that cannot be excluded under the Australian and New Zealand Consumer Laws. You are entitled to a replacement or a refund for a major failure and compensation for any other reasonably foreseeable loss or damage. You are also entitled to have the goods repaired if the goods fail to be acceptable quality and the failure does not amount to a major failure.

See the Warranty card enclosed with this product for further details.

Customer Service

For all Customer Service and Technical Support please call Monday to Friday during business hours.

Legrand Australia
1300 369 777
www.hpm.com.au

Legrand New Zealand
0800 476 009
www.hpm.co.nz

ABN: 31 000 102 661

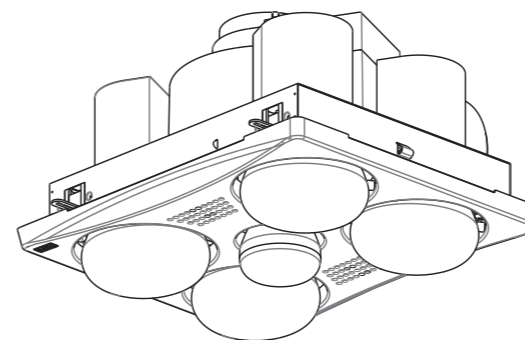


Ducted Instant Heat 3-in-1

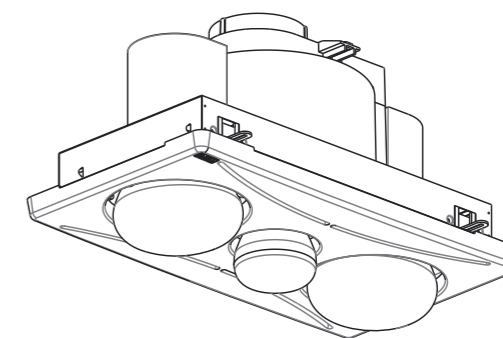
2 Heat Lamp model: **BH2DWE**

4 Heat Lamp model: **BH4DWE**

Instruction Sheet



BH4D



BH2D

The Ducted Instant Heat 3-in-1 are ceiling mounted heat lamp appliances combining the functions of heater, extraction fan and luminaire.

1 Specifications

Model	BH2D	BH4D
Supply Voltage	230-240 V a.c. 50 Hz	
Max. Power Rating	840 W max.	1570 W max.
Airflow#:	180 m ³ /hr max.	
Ceiling cut-out	205 x 395 mm	295 x 355 mm
Projection into ceiling	205 mm	
Required ceiling depth	300 mm	
Fascia	Size	440 x 250 mm
	Protrusion (excl. lamps)	23 mm
Heat Lamps Provided	2 x 275 W	4 x 275 W
Thermal Overload Protection	100° C	
Draught stopper	Yes	
Centre light provided	7W LED R80 E27	
Weight (excl. packaging):	4.3 kg	5.2 kg

- measured with 3 m and Ø150 mm ducting.

Note: Airflow will be reduced with bends in duct, squashing of duct, restrictions on replacement air entering the room to be ventilated, or pressure differentials between the room and outside air and elevation of the outlet duct and grille with reference to the bathroom heater.

2 Please read carefully

Read through these instructions completely before commencing installation. Retain for future use. This product shall be installed by a licensed electrical contractor or similarly qualified person.

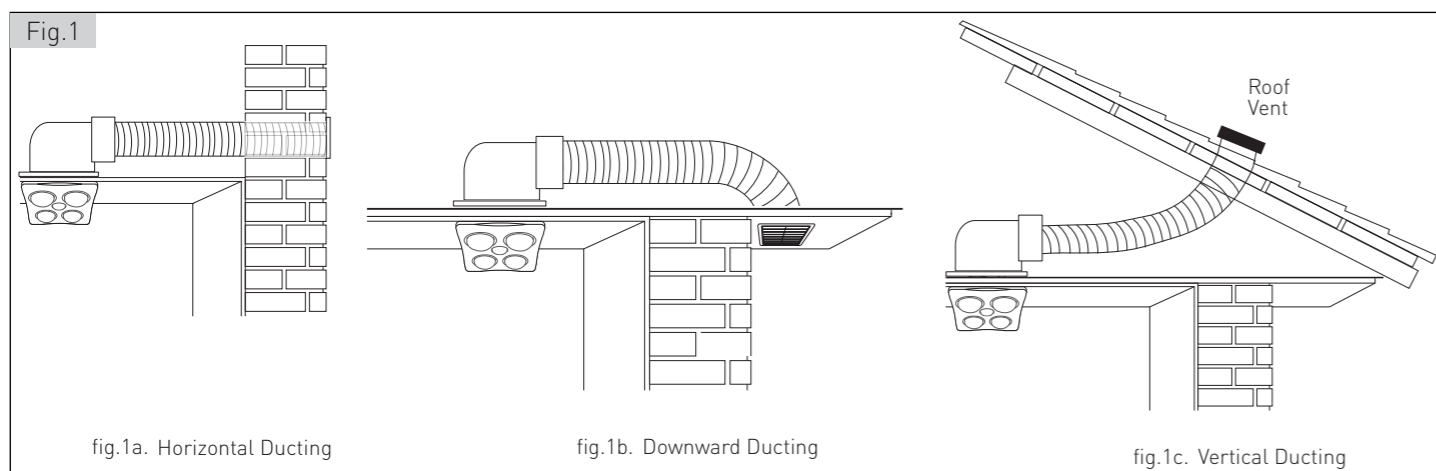
CAUTION:

Regulations concerning the discharge of air must be fulfilled. Local building codes may require venting to the outside. The Instant Heat is for ceiling mounting only, with the lowest point to be at least 2.2 metres above floor level. It is not intended to be installed in wardrobes or within 300mm of walls. Please note there is a danger of combustion if placed too close to curtains or other flammable materials. Under no circumstances must the Instant Heat be covered with insulating material within the ceiling space.

Instant Heat must not be installed where there is a possibility of water splashing onto the lamps. Locate in accordance with the requirements of the Wiring Rules AS/NZS 3000 relating to damp situations. This means that no part may be located directly above any part of the bath or shower recess or enclosure. For unenclosed showers refer to the Wiring Rules conditions.

Note: Steam will only be removed if there is sufficient flow of air through the room. Ensure adequate inlet openings in the room are provided, for example through windows, vents or under the door. Air-flow paths from room inlets to fan should ideally pass over surfaces where condensation may form.

Remove all packaging from the product before commencing installation.
Ensure the circuit has been isolated from the 240 V mains before commencing work.



I. Cutting a vent

Cut out a 150 mm diameter hole in the external wall or eave.

II. Ducting

The unit can be installed as shown below in Fig. 1. For best results the outlet should be at the same level or lower than the exhaust fan [fig.1a & fig.1b]. **Warning:** Vertical ducting with roof vents will result in reduced fan performance, increased noise and condensation/dripping [fig.1c]. Mount grille and seal any gaps around grille where necessary.

III. Locating the Instant Heat

Ensure the Instant Heat is installed at least 2.2 m above floor level.

IV. Preparation of the ceiling

Before cutting out the hole consider the orientation of the Instant heat and the position of the duct outlet. To ensure maximum performance the following points should be observed:

- minimise the number of bends in the ducting.
- level of the outlet grille should be at the level of the outlet duct.
- ducting should not be squashed.
- avoid sagging of the ducting to prevent water accumulation.

Using the ceiling cut-out template provided, mark the ceiling with a pencil outline and cut out a hole at the chosen area. In the cut out made mark the position of the duct holder (see template). Make sure the distance between the edges and wall is not less than 300mm. Refer to Fig B.

V. Required Clearances

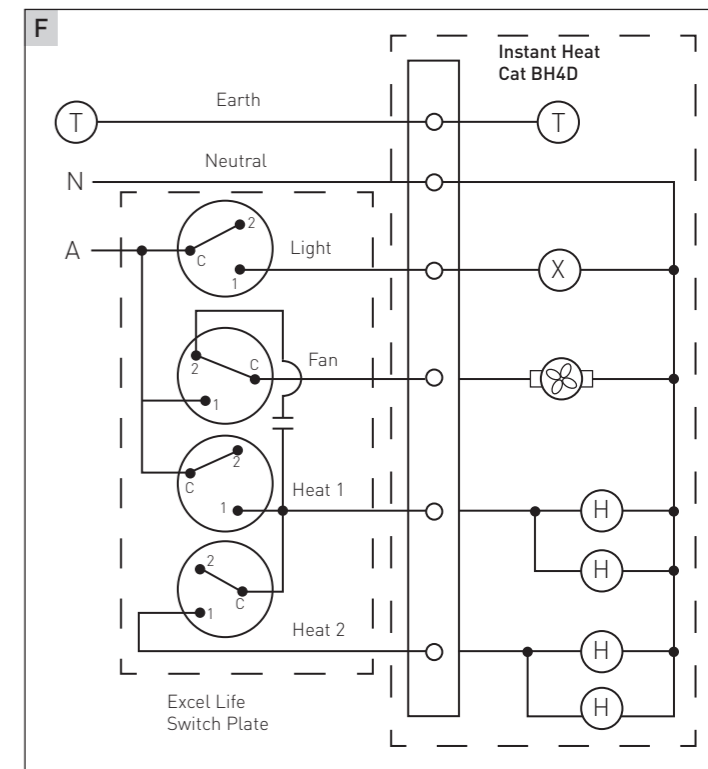
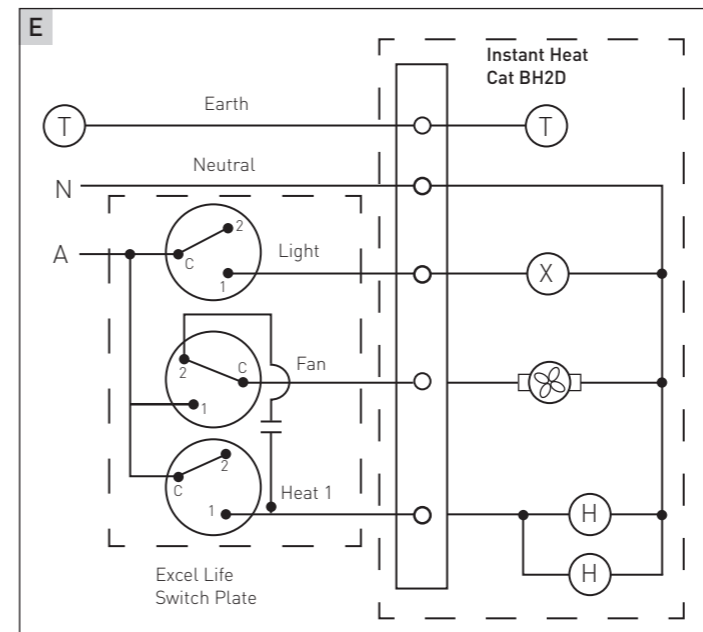
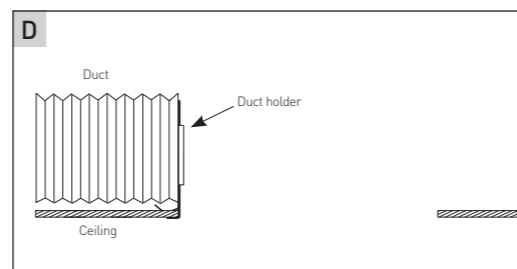
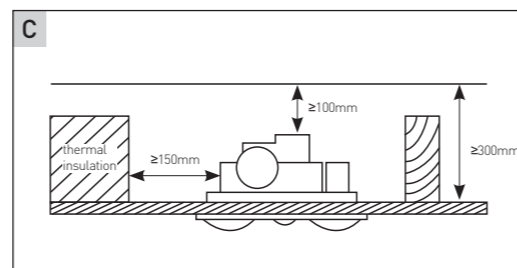
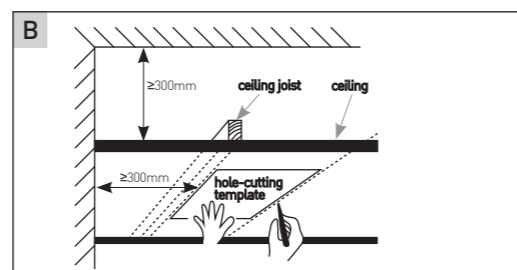
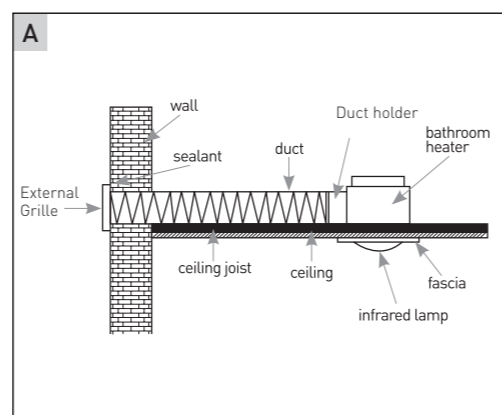
Within the ceiling cavity, there should be a minimum recess depth of 300mm to the roof. Thermal insulation or similar material shall not be placed on top of the instant heat, and adjacent material shall be kept clear to a minimum distance of 150mm. Joists, beams and rafters shall not be cut or notched to install the Instant Heat. Refer to Fig C.

VI. In-house duct connection

Remove the duct holder from the Instant Heat and fit to end of ducting with the cable tie. Clip the duct holder to the ceiling at the marked position. Refer to Fig D.

VII. Remove the fascia

Remove all lamps from the unit. Remove the fascia.



VIII. Wiring

An Excel Life wall switch plate is provided with this product. When choosing a location ensure the wall plate is not within arm's reach or accessible to a person in a bath or shower. Follow the wiring diagram shown in Fig. E or Fig. F as applicable.

Once the wiring connection has been made to the Instant Heat, use a cable tie to fix the cabling to the tie point to prevent contact with the hot metal housing. Refer to Fig G.

IX. Insertion into cavity

Aligning the Instant Heat with the duct holder, carefully slide the unit into the cavity. Ensure the guides in the Instant Heat body engage with the slots in the duct holder. Ensure the 4 retractable clips do not catch in the hole cut-out. Refer to Fig H.

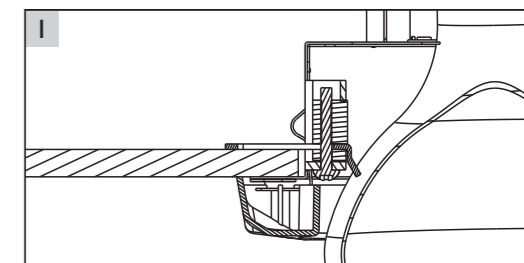
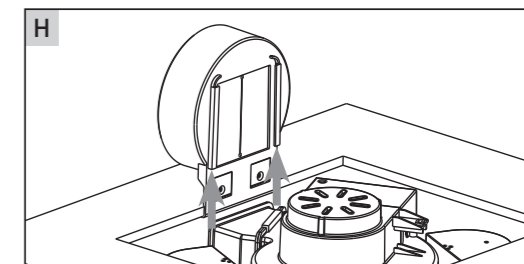
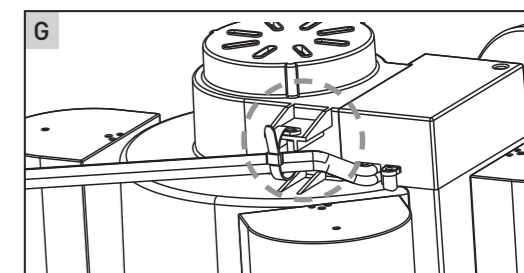
X. Once the unit is fully recessed, push out the clips and use a screwdriver to tighten. Refer to Fig I.

XI. Final Installation

1. Replace the fascia and lamps. Fix the switch plate to the wall.
2. Reconnect power from the mains supply and test for correct operation.
3. Test airflow by holding a piece of tissue paper near the centre light.

Note: When the unit is wired as per the wiring diagram (diagram E and F), the fan will run automatically at a reduced speed when the heat lamps are switched ON.

CAUTION: Warranty will be void if the instant heat unit is not wired as per wiring diagram (E or F).



4 Maintenance

Cleaning

Instant Heat should be cleaned every 6 months or more often to prevent dust build-up.

1. Disconnect power to Instant Heat before cleaning.
2. Wipe lamps and fascia with care using a soft cloth soaked with neutral detergent. Ensure lamps are cool to touch before handling.

Replacement parts

Disconnect power to Instant Heat before lamp replacement.

Replacement lamps:

- Heat Lamp: L275HLES (275W)
- L375HLES (375W)
- Centre light: LR80014K or E27 R80 60W max
- Switch wall plate: ED770/3FLHCWE (for BH2D)
- ED770/4FLHHCWE (for BH4D)